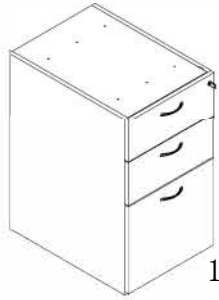
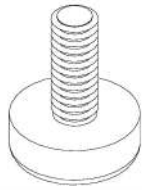


(1) NAP-65



1PCS

(D) Leg Leveller



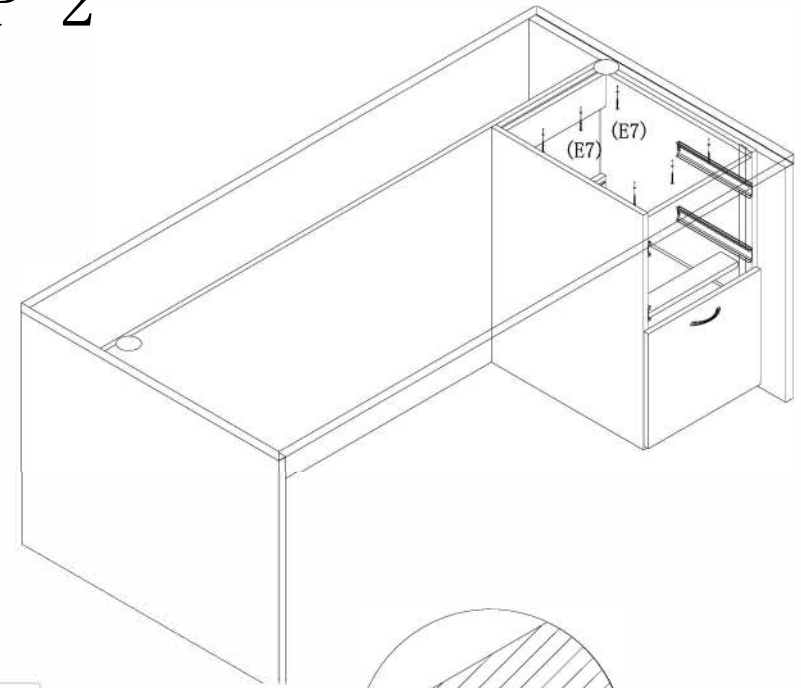
4PCS

(E7) Wood Screw

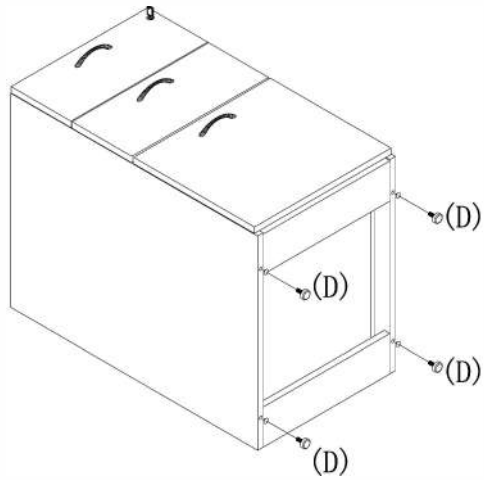


6PCS

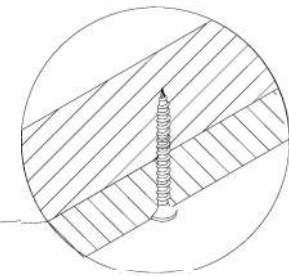
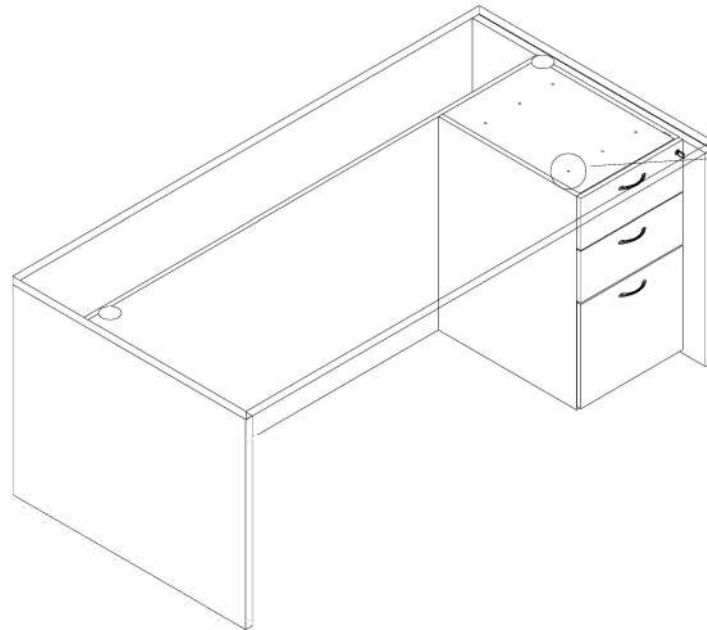
STEP 2



STEP 1



STEP 3



B/B/F 3 DRAWER PED
NAP-65



Always lay components on A clean, soft-cushioned surface during assembly.