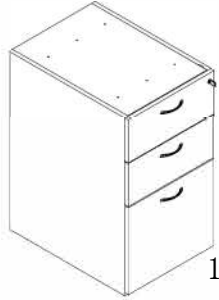
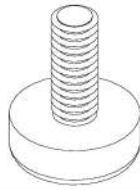


(1) NAP-65



1PCS

(D) Leg Leveller



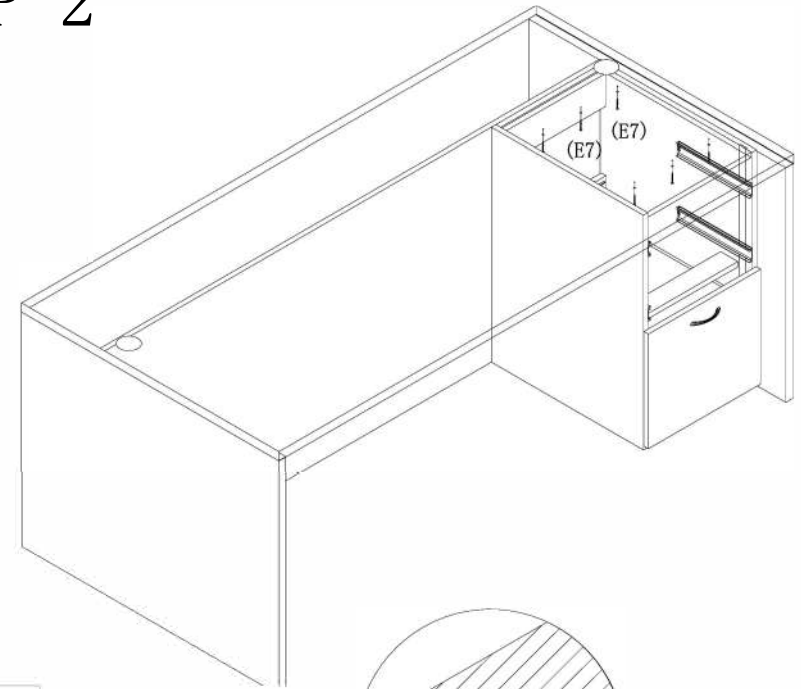
4PCS

(E7) Wood Screw

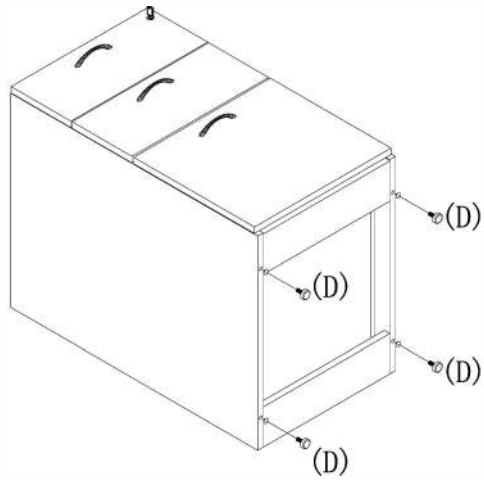


6PCS

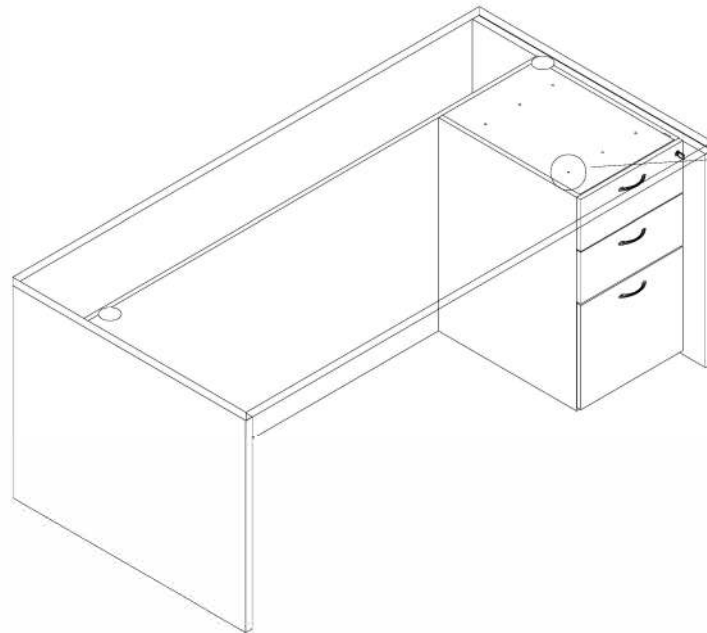
## STEP 2



## STEP 1



## STEP 3



B/B/F 3 DRAWER PED  
NAP-65



(677-9679)

*Always lay components on A clean,  
soft-cushioned surface during assembly.*